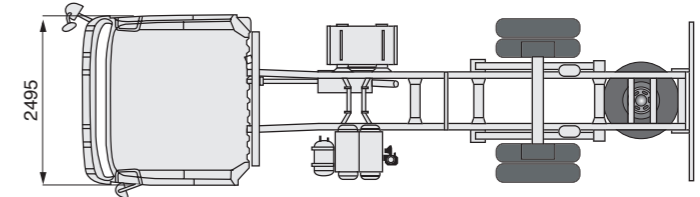
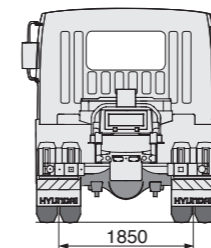
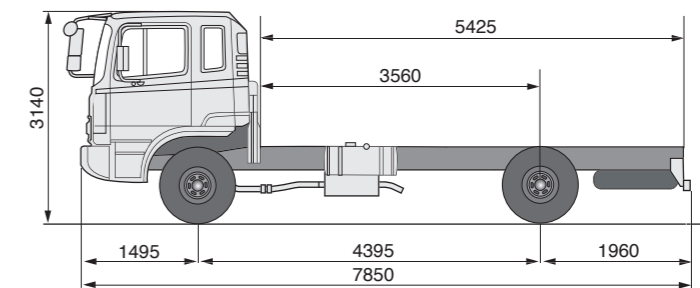
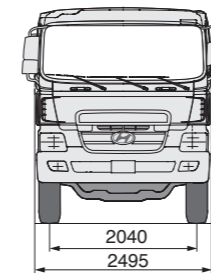


# HD170 Cargo Short Wheelbase

HYUNDAI HD Series



Model	HD170		
Vehicle Type	Cargo		
Cab Type	Sleeper Cab		
Deck Height	High		
Wheel Base	Short		
Drive System	LHD, 4 X 2		
Application Engines	D6AV	D6AB-d	D6GA2E

### Dimensions (mm)

Wheel Base		4,395
Overall (Chassis Cab)	Length	7,850
	Width	2,495
	Height	3,140
Wheel Tread	Front	2,040
	Rear	1,850
Overhang (Chassis Cab)	Front	1,495
	Rear (Frame)	1,865
C.A (Cab to rear Axle)		3,560
C.E (Cab to end of frame)		5,425
Min. Ground Clearance		285
Min. Turning Radius	m	7.5

### Weight (kg)

Chassis Cab Weight		6,200	6,330	6,015
	Front	3,850	3,960	3,760
	Rear	2,350	2,370	2,255
** Max Gross Vehicle Weight		18,800		
	Front	7,000		
	Rear	11,800		

\*\* Max. GVW includes the front & rear axle loads based on the permissible tire load.

# HD170 Cargo Long Wheelbase

HYUNDAI HD Series

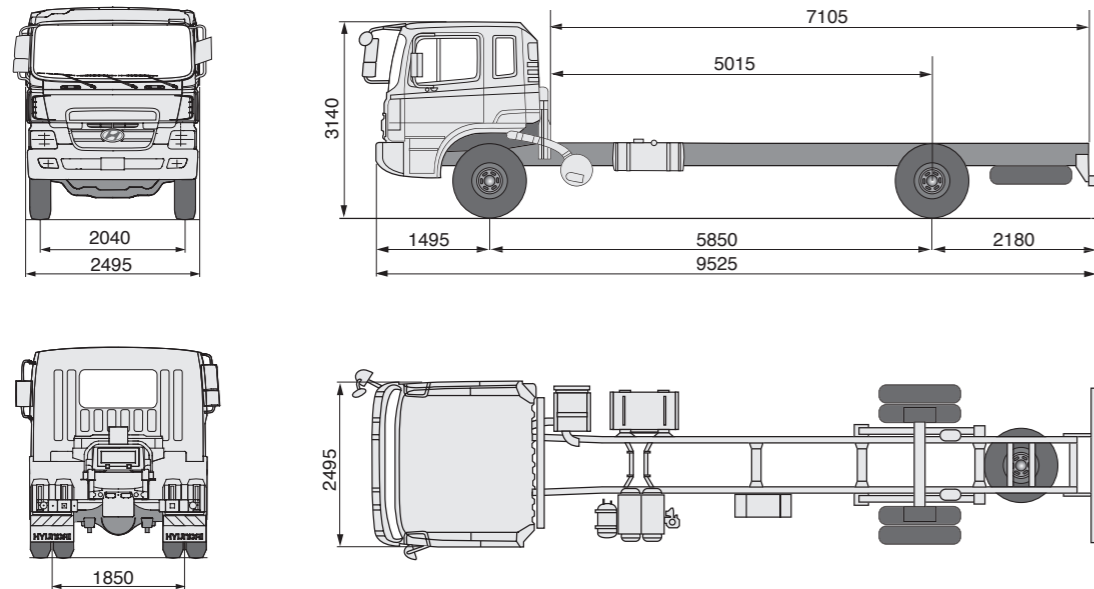
Cargo(HD170)

Dump

Mixer

Tractor

BareChassis



Model	HD170			
Vehicle Type	Cargo			
Cab Type	Sleeper Cab			
Deck Height	High			
Wheel Base	Long			
Drive System	LHD, 4 X 2			
Application Engines	D6AV	D6AB-d	D6GA2E	D6GA28

## Dimensions (mm)

Wheel Base	5,850			
Overall (Chassis Cab)	Length	9,525		
	Width	2,495		
	Height	3,140		
Wheel Tread	Front	2,040		
	Rear	1,850		
Overhang (Chassis Cab)	Front	1,495		
	Rear (Frame)	2,090		
C.A (Cab to rear Axle)	5,015			
C.E (Cab to end of frame)	7,105			
Min. Ground Clearance	285			
Min. Turning Radius	m	10.1		

## Weight (kg)

Chassis Cab Weight	6,310				6,440				6,125				6,145				
	Front	3,920				4,030				3,865				3,885			
	Rear	2,390				2,410				2,260				2,260			
** Max Gross Vehicle Weight	18,800																
	Front	7,000															
	Rear	11,800															

\*\* Max. GVW includes the front & rear axle loads based on the permissible tire load.

## Calculated Performance

Model	HD170						
	Short			Long			
Application Engines	D6AV	D6AB-D	D6GA2E	D6AV	D6AB-D	D6GA2E	D6GA28
Max. Speed	99	120	132	99	120	132	133
Max. Gradeability	0.278	0.341	0.269	0.274	0.332	0.265	0.284

## Chassis Specifications

### Engine

Model	HD170			
	D6AV	D6AB-D	D6GA2E	D6GA28
Type	Natural Aspiration	Turbo Charger Intercooler		
	4 stroke-cycle, water-cooled, direct-injection diesel engine			
Number of Cylinder	6 in-line			
Piston Displacement (cc)	11,149		5,899	
Bore x Stroke (mm)	130 x 140		103 x 118	
Compression Ratio	17.5 : 1	17.0 : 1	17.0 : 1	
Max. Power** (ps/rpm)	Euro I	220 / 2,200	-	-
	Euro II / III	-	290 / 2,000	-
	Euro IV	-	-	255 / 2,500
	Euro V	-	-	-
Max. Torque ** (kg.m/rpm)	Euro I	75 / 1,400	-	-
	Euro II / III	-	110 / 1,200	-
	Euro IV	-	-	95 / 1,400
	Euro V	-	-	-
Cooling System	General	Pressure type with thermostat, Forced circulation by centrifugal water pump		
	Radiator	Corrugated fin type with pressure cap and condenser tank		
Electrical System	Battery	12V x 2, 150 AH at 20 Hr rates		
	Alternator	24V-60A		24V-70A
	Starter	24V-5.5kW		24V-5kW
Fuel System	Injection pump	in-line type		
	Governor	Min-Max Speed (RFD)	All Speed Type (RLD-J)	-
	Fuel filter	Spin-on type		
Oil System	Lubrication	Forced lubrication by gear pump		
	Oil filter	Combination (Full flow and bypass) filter with paper element		
	Oil cooler	Water cooled, plate fin type		
	Oil grade	API service classification CF-4 or above		
Air cleaner	Cyclonic dry paper element			
Valve System	Single Overhead Valve, Two valves per cylinder			

\*\* Max. Power and Torque of engine may vary according to each country.

## Clutch

Engine	D6AV	D6AB-D	D6GA2E	D6GA28
Type	Hydraulic control with Air pressure assistance, Coil spring, Single dry plate, Pre-Damper			
Facing Material	Non-Asbestos			
Facing Size (mm)	ø410 x ø250		ø430 x ø250	
Outside dia x Inside dia				

### Transmission

Model		HD170			
Engine		D6AV	D6AB-D	D6GA2E	D6GA28
Model		M8S5 (Over Drive)		M10S6 (Over Drive)	
Type		5 forward and 1 reverse speed, 2nd to 5th synchromesh, 1st & reverse constant-mesh gears		6 forward and 1 reverse speed, 2nd to 6th synchromesh, 1st & reverse constant-mesh gears	
Gear Ratio	1st	5,431		6,552	
	2nd	3,436		4,178	
	3rd	1,747		2,415	
	4th	1,000		1,621	
	5th	0,741		1,000	
	6th	-		0,758	
Reverse		5,677		6,849	
Gear Oil		API service classification GL-5 and SAE service classification 80W/90 (85W/140 ;Tropical zones only)			
T.G.S. (Transmission Gear Shift)		Floor shift, Mechanical remote control			

### Propellershaft

Model		P10	P12
Type		Tubular, Forged steel ends with center bearing	
Size (diameter x Thickness)		ø88.9 x 4.0t	ø101.6 x 5.0t

### Rear Axle

Model		D10H		
Type		Full floating type		
Capacity		11,800 kg		
Final Reduction Gear	Type	Single Reduction, Hypoid gear		
	G/Ratio	6.166	4.333	4.889
Gear Oil		SAE service classification 80W / 90W (80W / 140W : Tropical zones only)		

### Front Axle

Type		Reverse Elliot type " 1 " beam	
Capacity	kg	7,000	

### Tire & Wheel

Type			
Tire	Front / Rear	12R 22.5 - 16PR	
Wheel	Front / Rear	8.25T x 22.5-165	

### Steering

Type		2-Spoke, Ball-nut type, Tilt & Telescopic steering column	
Steering Wheel Diameter (mm)		500	
Tilting Angle		9°	
Telescopic Stroke (mm)		50	
Overall Steering Gear Ratio		22.2	
Turning Angle	Inner	49°	
	Outer	39°	

### Service Brake

Actuation		Full Air, Dual circuit fixed S cam with spring loaded chambers	
Size (mm)	Front	Drum dia. x Lining width x Lining thickness : ø410 x 156 x 19	
	Rear	Drum dia. x Lining width x Lining thickness : ø410 x 220 x 19	
Compressed air reservoir		85 ℓ	
Total lining area		6,081cm <sup>2</sup>	

### Parking Brake

Model		HD170			
Engine		D6AV	D6AB-D	D6GA2E	D6GA28
Actuation		Spring loaded type chamber on the rear wheels			
Size (mm)		Drum diameter x Lining width x Lining thickness : ø410 mm x 220 mm x 19 mm			
Total lining area		3,558cm <sup>2</sup>			

### Exhaust Brake

Type	Air operated, butterfly valve type			
------	------------------------------------	--	--	--

### Suspension

Type	Front	Semi-elliptic, parabolic leaf springs with shackle link (Taper leaf spring)		
	Rear	Semi-elliptic, laminated leaf springs with shackle link (Multi leaf spring)		
Spring Size (Length x Width x Thickness- Number of leaves)	Front	1,500 x 90 x 23t - 3		
	Rear	Main	1,600 x 90 x 13t - 9	
		Helper	1,190 x 90 x 12t - 9	
Shock absorber		Hydraulic double acting telescopic type on the front axle		

### Cooling system

Radiator		Corrugated fin type & condense tank		
Rows of tubes	3			
	Core size (mm)	730 x 700 x 49	730 x 810 x 49	618 x 720 x 56
Cooling Fan		Auto clutched type viscos fan		

### Air intake system

General		Snorkel type at the rear of cab (right or left side)		
Air cleaner type		Dry Paper type		
Air cleaner position		At the rear of cab (right or left side)		

### Exhaust system

General	Conventional (horizontal) type muffler	Box type
	Muffler With Diesel Oxidation Catalyst (For D6AB-D for Euro3 Emssion)	Catalyst muffler (PMC type)
Tail pipe		Droptail type, blowing to chassis rearward

### Fuel tank

Capacity	200 liter
Material	Steel (STD), Aluminum (OPT)

### Frame

Type	"H" type frame with channel sectional side rail & cross members
Main section side rail dimension (mm)	Depth x Flange x Thickness : 302 x 90 x 8t

# HD250 Cargo Long Wheelbase

HYUNDAI HD Series

## Electrical system Specification

### Electrical Equipments

Head lamps	Semi sealed beam
Front combination lamps	Turn signal / Hazard-Amber, Position - White
Fog lamps	Yellow
Rear combination lamps	Turn signal / Hazard-Amber, Tail / Stop - Red
License plate lamp	White
Back-up lamp	White

### Instruments

Meter Cluster	Fixed type
Meter	Speedometer with odometer / Air & Oil Pressure / Voltage / Tachometer / Fuel / Water temperature gauges
Warning lamps & indicators	Turn signals & Hazard / Parking brake / Oil pressure with buzzer / Door opening / Charging / Main Beam / Cab Tilt Lock with buzzer / Seat Belt / Exhaust Brake / Preheating /Overheat , Coolant level with buzzer / Brake air with buzzer
Horn	Dual, electric flat type

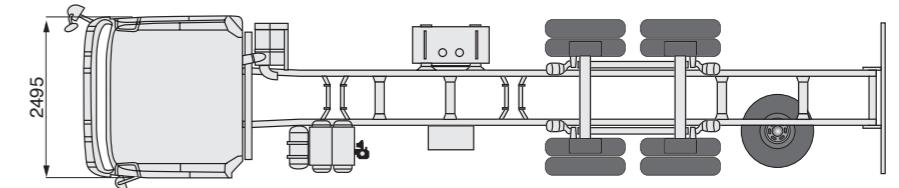
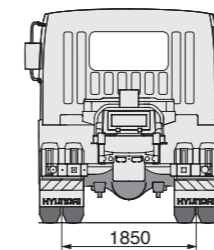
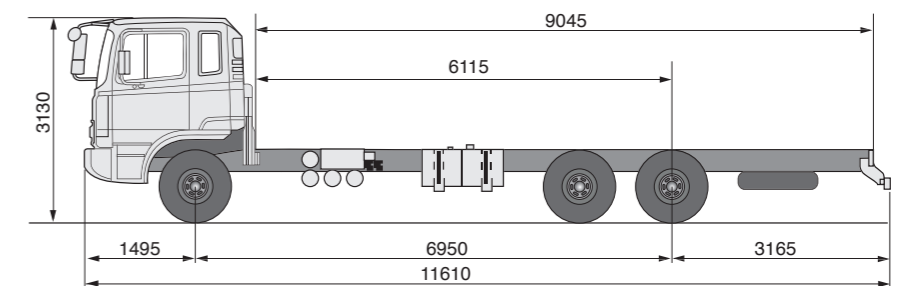
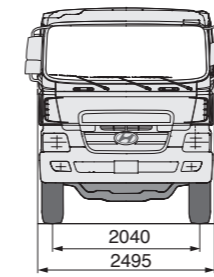
## Body

### Cab

Type	Manual-Hydraulic type cab tilting (Electric-Hydraulic type:OPT), all steel welded construction with safety zone design
Mounting	Coil Spring type Full Floating cab (Air Spring type : OPT)
Windshield	One piece type with laminated glass
Windshield Wipers	Dual electric three speed (intermittent / low / fast) wipers & washer
Driver's Seat	Spring & Urethane foam cushioned / reclining, sliding & height adjuster at the front & rear, Vinyl material
Passenger's seat	Spring & Urethane foam cushioned, Vinyl material

## Annotations

- 1) Empty vehicle weight and curb weight shown are to 3.5% variation to allow for production tolerance.
- 2) Empty vehicle weight and curb weight include weight of oil, fuel, coolant and spare tire carrier & bracket, spare tire but exclude standard tool set.
- 3) The vehicle specifications may differ per country.
- 4) Hyundai motor company reserves the right to alter the specifications, equipment or options or discontinue the models at any time without prior notice.



Model	HD250
Vehicle Type	Cargo
Cab Type	Sleeper Cab
Deck Height	High
Wheel Base	Long
Drive System	LHD, 6 x 4
Application Engines	D6AC

### Dimensions (mm)

Wheel Base	6,950 (5,650 + 1,300)	
Overall (Chassis Cab)	Length	11,610
	Width	2,495
	Height	3,130
Wheel Tread	Front	2,040
	Rear	1,850
Overhang (Chassis Cab)	Front	1,495
	Rear (Frame)	2,930
C.A (Cab to rear Axle)		6,115
C.E (Cab to end of frame)		9,045
Min. Ground Clearance		285
Min. Turning Radius	m	10.4

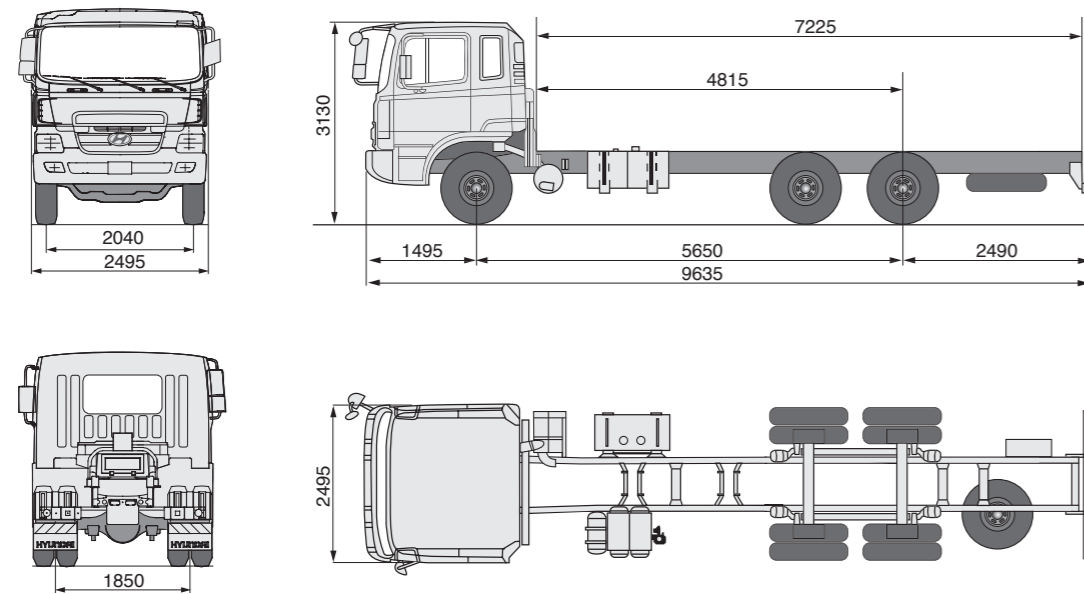
### Weight (kg)

Chassis Cab Weight	8,840	
	Front	4,275
	Rear	4,565
** Max Gross Vehicle Weight	30,600	
	7,000	
	Front	7,000
	Rear	23,600 (11,800 x 2)

\*\* Max. GVW includes the front & rear axle loads based on the permissible tire load.

# HD260 Cargo Short Wheelbase

HYUNDAI HD Series



Model	HD260
Vehicle Type	Cargo
Cab Type	Sleeper Cab
Deck Height	High
Wheel Base	Short
Drive System	LHD, 6 x 4
Application Engines	D6AC

## Dimensions (mm)

Wheel Base	5,650 (4,350 + 1,300)	
Overall (Chassis Cab)	Length	9,635
	Width	2,495
	Height	3,130
Wheel Tread	Front	2,040
	Rear	1,850
Overhang (Chassis Cab)	Front	1,495
	Rear (Frame)	2,440
C.A (Cab to rear Axle)	4,815	
C.E (Cab to end of frame)	7,225	
Min. Ground Clearance	285	
Min. Turning Radius	m	8.1

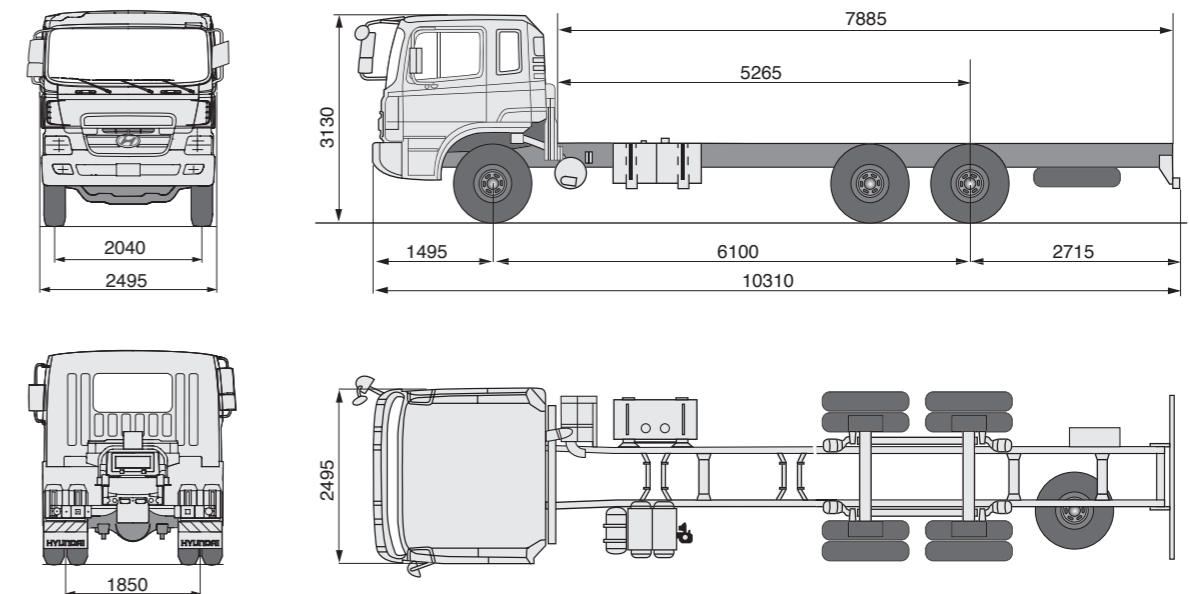
## Weight (kg)

Chassis Cab Weight	8,350	
	Front	4,190
	Rear	4,160
** Max Gross Vehicle Weight	30,600	
	Front	7,000
	Rear	23,600 (11,800 x 2)

\*\* Max. GVW includes the front & rear axle loads based on the permissible tire load.

# HD260 Cargo Medium Wheelbase

HYUNDAI HD Series



Model	HD260	
Vehicle Type	Cargo	
Cab Type	Sleeper Cab	
Deck Height	High	
Wheel Base	Medium	
Drive System	LHD, 6 x 4	
Application Engines	D6AC	D6CA38

## Dimensions (mm)

Wheel Base	6,100 (4,800 + 1,300)	
Overall (Chassis Cab)	Length	10,310
	Width	2,495
	Height	3,130
Wheel Tread	Front	2,040
	Rear	1,850
Overhang (Chassis Cab)	Front	1,495
	Rear (Frame)	2,620
C.A (Cab to rear Axle)	5,265	
C.E (Cab to end of frame)	7,885	
Min. Ground Clearance	285	
Min. Turning Radius	m	8.8

## Weight (kg)

Chassis Cab Weight	8,450		8,795
	Front	4,230	4,445
	Rear	4,220	4,350
** Max Gross Vehicle Weight	30,600		
	Front	7,000	
	Rear	23,600 (11,800 x 2)	

\*\* Max. GVW includes the front & rear axle loads based on the permissible tire load.

### Calculated Performance

Model		HD250	HD260		
Application Engines		D6AC	D6AC	D6AC	D6CA38
Max. Speed	km/h	120	118	128	115
Max. Gradeability	tanθ	0.353	0.327	0.333	0.333

### Chassis Specifications

#### Engine

Model		HD250 / HD260	
		D6AC	D6CA38
Type		Turbo Charger Intercooler 4 stroke-cycle, water-cooled, direct-injection diesel engine	
Number of Cylinder		6 in-line	
Piston Displacement (cc)		11,149	12,920
Bore x Stroke (mm)		130 x 140	130 x 155
Compression Ratio		16.5 : 1	17 : 1
Max. Power** (ps/rpm)	Euro I	340 / 2,200	-
	Euro II	320 / 2,000	380 / 1,900
Max. Torque ** (kg.m/rpm)	Euro I	140 / 1,400	-
	Euro II	137 / 1,400	148 / 1,500
Cooling System	General	Pressure type with thermostat, Forced circulation by centrifugal water pump	
	Radiator	Corrugated fin type with pressure cap and condenser tank	
Electrical System	Battery	12V x 2, 150 AH at 20 Hr rates	
	Alternator	24V-60A	24V-80A
	Starter	24V-5.5kW	24V-6.0kW
Fuel System	Injection pump	In-line type	DPICO in-line type
	Governor	All Speed type	Electronic Control
	Fuel filter	Spin-on type	
Oil System	Lubrication	Forced lubrication by gear pump	
	Oil filter	Full flow and bypass type with paper element	
	Oil cooler	Water cooled, plate fin type	
	Oil grade	API service classification CD or above	
Valve System		Single Overhead Valve, Two valves per cylinder	

\*\* Max. Power and Torque of engine may vary according to each country.

#### Clutch

Engine	D6AC	D6CA38
Type	Hydraulic control with Air pressure assistance, Diaphragm spring, Single dry plate, Pre-Damper	
Facing Material	Non-Asbestos	
Facing Size (mm) Outside dia x Inside dia	ø430 x ø242	

### Transmission

Model		HD250	HD260	
Application Engines		D6AC	D6AC	D6CA38
T/M Application ● : STD ○ : OPT	M12S6	●	●	●
	M12S 2X5	○	○	
	H160S 2X5			○

Model type		M12S6 (Over Drive)	M12S6 (Over Drive)
Type		6 forward and 1 reverse speed, 2nd to 6th synchromesh, 1st & reverse constant-mesh gears	
Gear Ratio	1st	7.213	6.814
	2nd	4.178	3.948
	3rd	2.587	2.444
	4th	1.621	1.531
	5th	1.000	1.000
	6th	0.702	0.664
Reverse		7.081	6.690
Gear Oil		API service classification GL-4 or SAE service classification 80W (90 :Tropical zones only)	
T.G.S. (Transmission Gear Shift)		Floor shift, Mechanical remote control	

#### Propellershaft

Model	S1810
Type	Tubular, Forged steel ends with center bearing
Size (diameter x Thickness)	ø114.3 x 6.6t

#### Rear Axle

Model	D10HT	
Type	Full floating type	
Capacity	kg 11,800 x 2	
Final Reduction Gear	Type	Single Reduction, Hypoid gear
	G/Ratio	5.571 / 6.166
Gear Oil	SAE service classification 80W / 90W (80W / 140W : Tropical zones only)	

#### Front Axle

Type	Reverse Elliot type " I " beam
Capacity	kg 7,000

#### Tire & Wheel

Type	Single Front, Dual Rear	
Tire	Front	12R 22.5 - 16PR
	Rear	
Wheel	Front	8.25T x 22.5-165
	Rear	

#### Steering

Type	2-Spoke, Ball-nut type, Tilt & Telescopic steering column	
Steering Wheel Diameter (mm)	500	
Tilting Angle	9°	
Telescopic Stroke (mm)	50	
Overall Steering Gear Ratio	20.2	
Turning Angle	Inner	49°
	Outer	39°

### Service Brake

Model		HD250	HD260	
Engine		D6AC	D6AC	D6CA38
Actuation		Full Air, Dual circuit fixed S cam with spring loaded chambers		
Size (mm)	Front	Drum dia. x Lining width x Lining thickness : $\phi$ 410 x 156 x 19		
	Rear	Drum dia. x Lining width x Lining thickness : $\phi$ 410 x 220 x 19		
Compressed air reservoir		120 $\ell$		
Total lining area		9,639cm <sup>2</sup>		

### Parking Brake

Actuation	Spring loaded type chamber on the front wheel and the 1st rear wheel		
Size (mm)	Drum diameter x Lining width x Lining thickness : $\phi$ 410 x 156 x 19		
	Drum diameter x Lining width x Lining thickness : $\phi$ 410 x 220 x 19		
Total lining area	7,116cm <sup>2</sup>		

### Exhaust Brake

Type	Air operated, butterfly valve type	-
------	------------------------------------	---

### Jake Brake

Type	-	Injection Cam operated type
------	---	-----------------------------

### Suspension

Type	Front	Semi-elliptic, parabolic leaf springs with shackle link (Taper leaf spring)	
	Rear	Semi-elliptic, laminated leaf springs with shackle link (Multi leaf spring)	
Spring Size (Length x Width x Thickness- Number of leaves)	Front	1,500 x 90 x 23t - 3	
	Rear	Main	1,480 x 90 x (20t - 3 & 18t - 8)
		Helper	-
Shock absorber	Hydraulic double acting telescopic type on the front axle		

### Cooling system

Radiator		Corrugated fin type & condense tank	
Rows of tubes	3		4
	Core size (mm)		730 x 810 x 49
Cooling Fan		Auto clutched type viscos fan	

### Air intake system

General	Snorkel type at the rear of cab (right or left side)
Air cleaner type	Dry Paper type
Air cleaner position	At the rear of cab (right or left side)

### Exhaust system

General	Conventional (horizontal) type muffler
Tail pipe	Droptail type, blowing to chassis rearward

### Fuel tank

Capacity	400 liter, 380 liter	200 liter, 400 liter, 380 liter
Material	Steel, Aluminum	

### Frame

Type	"H" type frame with channel sectional side rail & cross members	
Main section side rail dimension (mm)	Depth x Flange x Thickness : 302 x 90 x 8t	

### Electrical system Specification

#### Electrical Equipments

Head lamps	Semi sealed beam
Front combination lamps	Turn signal / Hazard-Amber, Position - White
Fog lamps	Yellow
Rear combination lamps	Turn signal / Hazard-Amber, Tail / Stop - Red
License plate lamp	White
Back-up lamp	White

#### Instruments

Meter Cluster	Fixed type
Meter	Speedometer with odometer / Air / Tachometer / Fuel / Water temperature gauges
Warning lamps & indicators	Turn signals & Hazard / Parking brake / Oil pressure with buzzer / Door opening / Charging / Main Beam / Cab Tilt Lock with buzzer / Seat Belt / Exhaust Brake / Preheating / Overheat , Coolant level with buzzer / Brake air with buzzer
Horn	Dual, electric flat type

### Body

#### Cab

Type	Manual-Hydraulic type cab tilting (Electric-Hydraulic type:OPT), all steel welded construction with safety zone design
Mounting	Coil Spring type Full Floating cab (Air Spring type : OPT)
Windshield	One piece type with laminated glass
Windshield Wipers	Dual electric three speed (intermittent / low / fast) wipers & washer
Driver's Seat	Spring & Urethane foam cushioned / reclining, sliding & height adjuster at the front & rear, Vinyl material
Passenger's seat	Spring & Urethane foam cushioned, Vinyl material

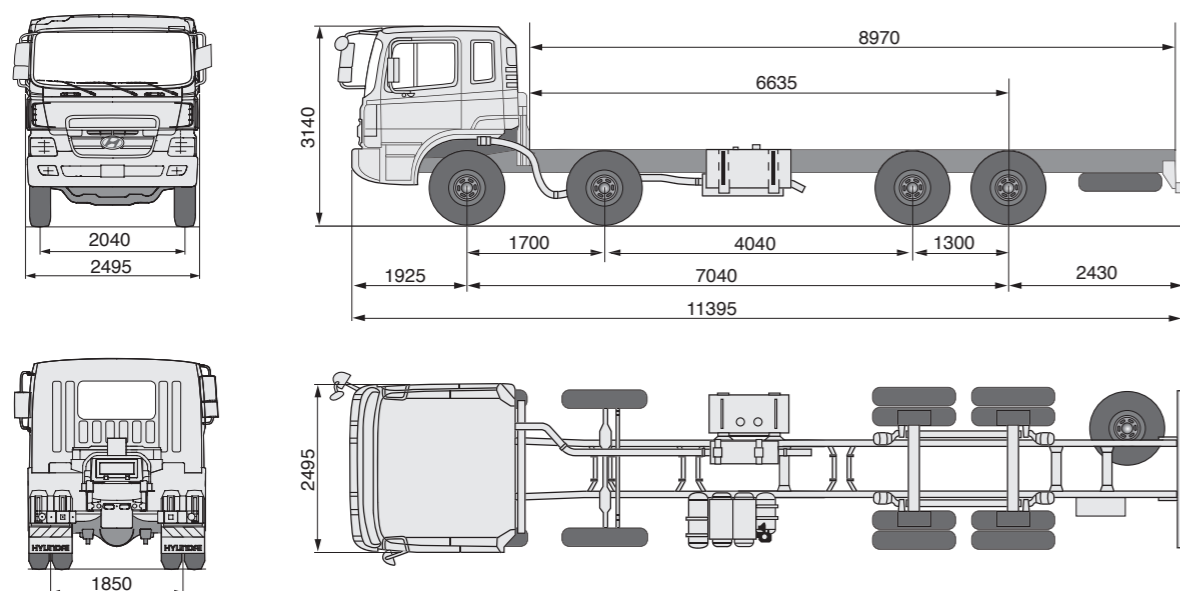
### Annotations

- 1) Empty vehicle weight and curb weight shown are to 3.5% variation to allow for production tolerance.
- 2) Empty vehicle weight and curb weight include weight of oil, fuel, coolant and spare tire carrier & bracket, spare tire but exclude standard tool set.
- 3) The vehicle specifications may differ per country.
- 4) Hyundai motor company reserves the right to alter the specifications, equipment or options or discontinue the models at any time without prior notice.

# HD310 Cargo

Short Wheelbase

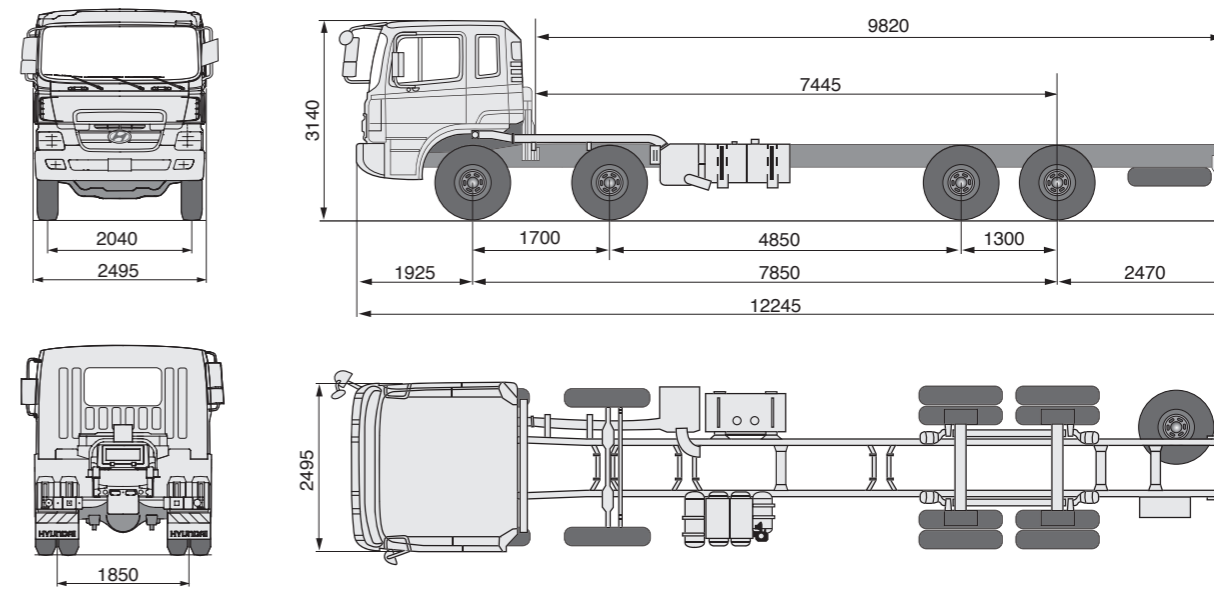
HYUNDAI HD Series



# HD320 Cargo

Extra Long Wheelbase

HYUNDAI HD Series



(D6CA3H)

Model	HD310	
Vehicle Type	Cargo	
Cab Type	Sleeper Cab	
Deck Height	High	
Wheel Base	Short	
Drive System	LHD, 8 x 4	
Application Engines	D6AC	D6CA3H

## Dimensions (mm)

Wheel Base	7,040 (1,700 + 4,040 + 1,300)	
Overall (Chassis Cab)	Length	11,395
	Width	2,495
	Height	3,140
Wheel Tread	Front	2,040
	Rear	1,850
Overhang (Chassis Cab)	Front	1,925
	Rear (Frame)	2,335
C.A (Cab to rear Axle)	6,635	
C.E (Cab to end of frame)	8,970	
Min. Ground Clearance	275	
Min. Turning Radius	m	10.8

## Weight (kg)

Chassis Cab Weight	10,020		10,310	
	Front	6,070	6,320	
	Rear	3,950	3,990	
** Max Gross Vehicle Weight	38,200			
	Front	13,000 (6,500 x 2)		
	Rear	25,200 (12,600 x 2)		

\*\* Max. GVW includes the front & rear axle loads based on the permissible tire load.

Model	HD320		
Vehicle Type	Cargo		
Cab Type	Sleeper Cab		
Deck Height	High		
Wheel Base	Extra Long		
Drive System	LHD, 8 x 4		
Application Engines	D6AC	D6CA3H	

## Dimensions (mm)

Wheel Base	7,850 (1,700 + 4,850 + 1,300)	
Overall (Chassis Cab)	Length	12,245
	Width	2,495
	Height	3,140
Wheel Tread	Front	2,040
	Rear	1,850
Overhang (Chassis Cab)	Front	1,925
	Rear (Frame)	2,375
C.A (Cab to rear Axle)	7,445	
C.E (Cab to end of frame)	9,820	
Min. Ground Clearance	275	
Min. Turning Radius	m	11.7

## Weight (kg)

Chassis Cab Weight	10,220		10,510	
	Front	6,225	6,475	
	Rear	3,995	4,035	
** Max Gross Vehicle Weight	38,200			
	Front	13,000 (6,500 x 2)		
	Rear	25,200 (12,600 x 2)		

\*\* Max. GVW includes the front & rear axle loads based on the permissible tire load.



### Calculated Performance

Model		HD310		HD320	
Application Engines		D6AC	D6CA3H	D6AC	D6CA3H
Max. Speed	km/h	94	114	94	104
Max. Gradeability	tanθ	0.456	0.589	0.346	0.422

### Chassis Specifications

#### Engine

Model		HD310		HD320	
Engine		D6AC	D6CA3H	D6AC	D6CA3H
Type		Turbo Charger Intercooler 4 stroke-cycle, water-cooled, direct-injection diesel engine			
Number of Cylinder		6 in-line			
Piston Displacement (cc)		11,149	12,920	11,149	12,920
Bore x Stroke (mm)		130 x 140	133 x 155	130 x 140	133 x 155
Compression Ratio		16.5 : 1	17 : 1	16.5 : 1	17 : 1
Max. Power** (ps/rpm)	Euro I	340 / 2,200	-	340 / 2,200	-
	Euro II	320 / 2,000	380 / 1,900	320 / 2,000	380 / 1,900
Max. Torque ** (kg.m/rpm)	Euro I	140 / 1,400	-	140 / 1,400	-
	Euro II	137 / 1,400	160 / 1,500	137 / 1,400	160 / 1,500
Cooling System	General	Pressure type with thermostat, Forced circulation by centrifugal water pump			
	Radiator	Corrugated fin type with pressure cap and condenser tank			
Electrical System	Battery	12V x 2, 150 AH at 20 Hr rates			
	Alternator	24V-60A	24V-80A	24V-60A	24V-80A
	Starter	24V-5.5kW	24V-6.0kW	24V-5.5kW	24V-6.0kW
Fuel System	Injection pump	In-line type	Delphi EUI system	In-line type	Delphi EUI system
	Governor	All Speed type	Electronic Control	All Speed type	Electronic Control
	Fuel filter	Spin-on type			
Oil System	Lubrication	Forced lubrication by gear pump			
	Oil filter	Full flow and bypass type with paper element			
	Oil cooler	Water cooled, plate fin type			
	Oil grade	API service classification CF-4 or above			
Valve System		Single Overhead Valve, Two valves per cylinder			

\*\* Max. Power and Torque of engine may vary according to each country.

#### Clutch

Engine		D6AC	D6CA3H	D6AC	D6CA3H
Type		Hydraulic control with Air pressure assistance, Diaphragm spring, Single dry plate, Pre-Damper			
Facing Material		Non-Asbestos			
Facing Size (mm) Outside dia x Inside dia		ø430 x ø242			

### Transmission

Model		HD310		HD320	
Application Engines		D6AC	D6CA3H	D6AC	D6CA3H
T/M Application ●: STD ○: OPT	M12S 2X5	●		●	
	H160S 2X5		●		●
Model type		M12S 2x5	H160S 2x5	M12S 2x5	H160S 2x5
Type		10 forward and 2 reverse speed, 2nd to 10th synchromesh, 1st & reverse constant-mesh gears			
Gear Ratio	1st (High / Low)	9.153 / 7.145			
	2nd (High / Low)	4.783 / 3.733			
	3rd (High / Low)	2.765 / 2.158			
	4th (High / Low)	1.666 / 1.301			
	5th (High / Low)	1.000 / 0.780			
	Reverse	8.105 / 6.327			
Gear Oil		API service classification GL5 and SAE service classification 80W/90 (85W/140 : Tropical zones only)			
T.G.S. (Transmission Gear Shift)		Floor shift, Mechanical remote control			

#### Propellershaft

Model	S1810
Type	Tubular, Forged steel ends with center bearing
Size (diameter x Thickness)	ø114.3 x 6.6t

#### Rear Axle

Application Engines		D6AC	D6CA3H	D6AC	D6CA3H
Model		D12HT			
Type		Full floating type			
Capacity	kg	26,000 (13,000 x 2)			
Final Reduction Gear	Type	Single Reduction, Hypoid gear			
	G/Ratio	6.166	5.571	6.166	4.333
Gear Oil		API service classification GL5 and SAE service classification 80W/90 (85W/140 : Tropical zones only)			

#### Front Axle

Type	Reverse Elliot type "I" beam
Capacity	kg
	6,550 x 2

#### Tire & Wheel

Type	Single Front, Dual Rear
Tire	Front / Rear
	12R 22.5 - 16PR
Wheel	Front / Rear
	8.25T x 22.5-165

#### Steering

Type	2-Spoke, Ball-nut type, Tilt & Telescopic steering column
Steering Wheel Diameter (mm)	500
Tilting Angle	9 °
Telescopic Stroke (mm)	50
Overall Steering Gear Ratio	22.2 °~ 26.2 °
Turning Angle	Inner
	Outer
	Front 1st axle 49 ° / Front 2nd axle 36 ° Front 1st axle 39 ° / Front 2nd axle 29 °

### Service Brake

Engine	HD310		HD320	
	D6AC	D6CA3H	D6AC	D6CA3H
Actuation	Full Air, Dual circuit fixed S cam with spring loaded chambers			
Size (mm)	Front	Drum dia. x Lining width x Lining thickness : $\phi$ 410 x 156 x 19		
	Rear	Drum dia. x Lining width x Lining thickness : $\phi$ 410 x 220 x 19		
Compressed air reservoir	145 $\ell$			
Total lining area	12,162cm <sup>2</sup>			

### Parking Brake

Actuation	Spring loaded type chamber on the front wheel and the 1st rear wheel
Size (mm)	Drum diameter x Lining width x Lining thickness : $\phi$ 410 x 220 x 19
Total lining area	7,166cm <sup>2</sup>

### Exhaust Brake

Type	Air operated, butterfly valve type
------	------------------------------------

### Jake Brake (Optional)

Type	-	Injection Cam operated type	-	Injection Cam operated type
------	---	-----------------------------	---	-----------------------------

### Suspension

Type	Front	Semi-elliptic , laminated leaf springs with shackle link (Multi leaf spring)		
	Rear	Semi-elliptic, laminated leaf springs with shackle link (Multi leaf spring)		
Spring Size (Length x Width x Thickness- Number of leaves)	Front	1,500 x 90 x 13t - 8		
	Rear	Main	1,480 x 90 x (20t - 5 & 18t -7)	
		Helper	-	
Shock absorber	Hydraulic double acting telescopic type on the front axle			

### Cooling system

Radiator	Corrugated fin type & condense tank			
	Rows of tubes	3	4	3
Core size (mm)	730 x 810 x 49	730 x 810 x 66	730 x 810 x 49	730 x 810 x 66
Cooling Fan	Auto clutched type viscos fan			

### Air intake system

General	Snorkel type at the rear of cab (right or left side)
Air cleaner type	Dry Paper type
Air cleaner position	At the rear of cab (right or left side)

### Exhaust system

General	Conventional (horizontal) type muffler
Tail pipe	Droptail type, blowing to chassis rearward

### Fuel tank

Capacity	350 liter (380 liter - OPT)
Material	Steel (Aluminum - OPT)

### Frame

Type	"H" type frame with channel sectional side rail & cross members
Main section side rail dimension (mm)	Depth x Flange x Thickness : 302 x 90 x 8t

### Electrical system Specification

#### Electrical Equipments

Head lamps	Semi sealed beam
Front combination lamps	Turn signal / Hazard-Amber, Position - White
Fog lamps	Yellow
Rear combination lamps	Turn signal / Hazard-Amber, Tail / Stop - Red
License plate lamp	White
Back-up lamp	White

#### Instruments

Meter Cluster	Fixed type
Meter	Speedometer with odometer / Air & Oil Pressure / Voltage / Tachometer / Fuel / Water temperature gauges
Warning lamps & indicators	Turn signals & Hazard / Parking brake / Oil pressure with buzzer / Door opening / Charging / Main Beam / Cab Tilt Lock with buzzer / Seat Belt / Exhaust Brake / Preheating / Overheat , Coolant level with buzzer / Brake air with buzzer
Horn	Dual, electric flat type

### Body

#### Cab

Type	Manual-Hydraulic type cab tilting (Electric-Hydraulic type:OPT), all steel welded construction with safety zone design
Mounting	Coil Spring type Full Floating cab (Air Spring type : OPT)
Windshield	One piece type with laminated glass
Windshield Wipers	Dual electric three speed (intermittent / low / fast) wipers & washer
Driver's Seat	Spring & Urethane foam cushioned / reclining, sliding & height adjuster at the front & rear, Vinyl material
Passenger's seat	Spring & Urethane foam cushioned, Vinyl material

### Annotations

- 1) Empty vehicle weight and curb weight shown are to 3.5% variation to allow for production tolerance.
- 2) Empty vehicle weight and curb weight include weight of oil, fuel, coolant and spare tire carrier & bracket, spare tire but exclude standard tool set.
- 3) The vehicle specifications may differ per country.
- 4) Hyundai motor company reserves the right to alter the specifications, equipment or options or discontinue the models at any time without prior notice.